



## PMO BALANCE TRANSFER TANK



From 30 gallons to 1,000 gallons, round to rectangular, APT can fabricate our PMO Balance Tanks to meet your plant's specific needs.

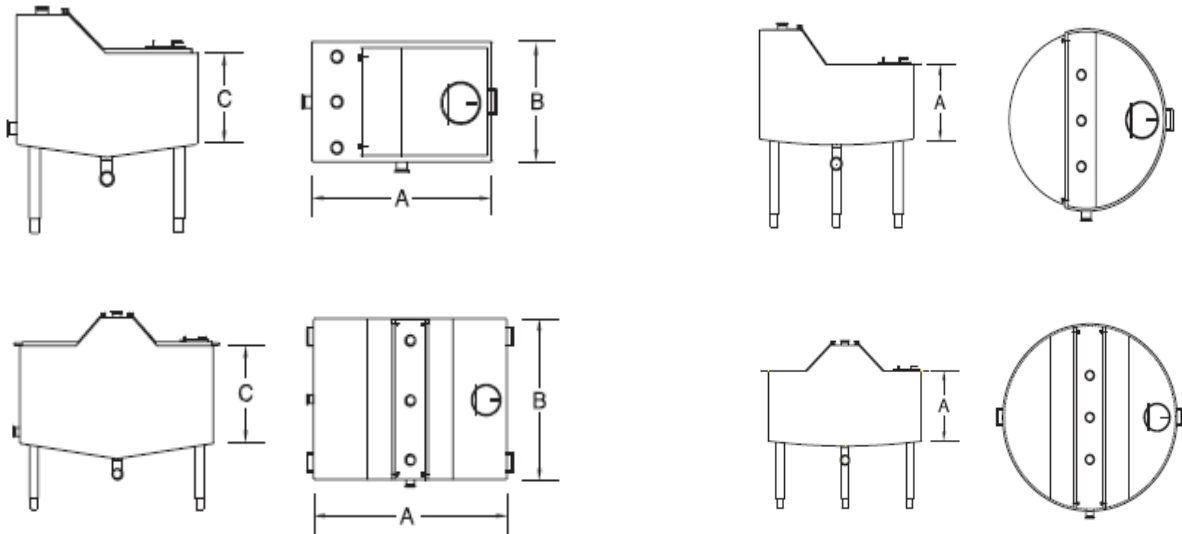
### Features:

- 3-A Certification per Standard 32-03
- Fabricated to PMO Standards
- 304 / 316L Stainless Steel
- Customer specified fitting sizes and locations
- Automatic lid actuation



## STANDARD TANK CONFIGURATIONS

Design and fabrication from 30 gallons to 1,000 gallons, round to rectangular.



APT occupies over 100,000 sq ft of state-of-the-art manufacturing and production space in Minnesota, Idaho and California to better serve the North American market. APT is and always has been committed to customer satisfaction. For nearly two decades, we have helped customers grow their business and profits. Perfecting performance and increasing efficiencies is a standard goal of APT's Products and Services.

Engineering | Fabrication | Controls | Installation

[www.APT-INC.com](http://www.APT-INC.com)

APT@APT-INC.COM | 877.230.5060 | An Employee Owned Company